

KGP(X)



7.5 - 15HP Grinder Pump, 3 Phase (Class 1, Div. 1, Groups C & D Hazardous Location)

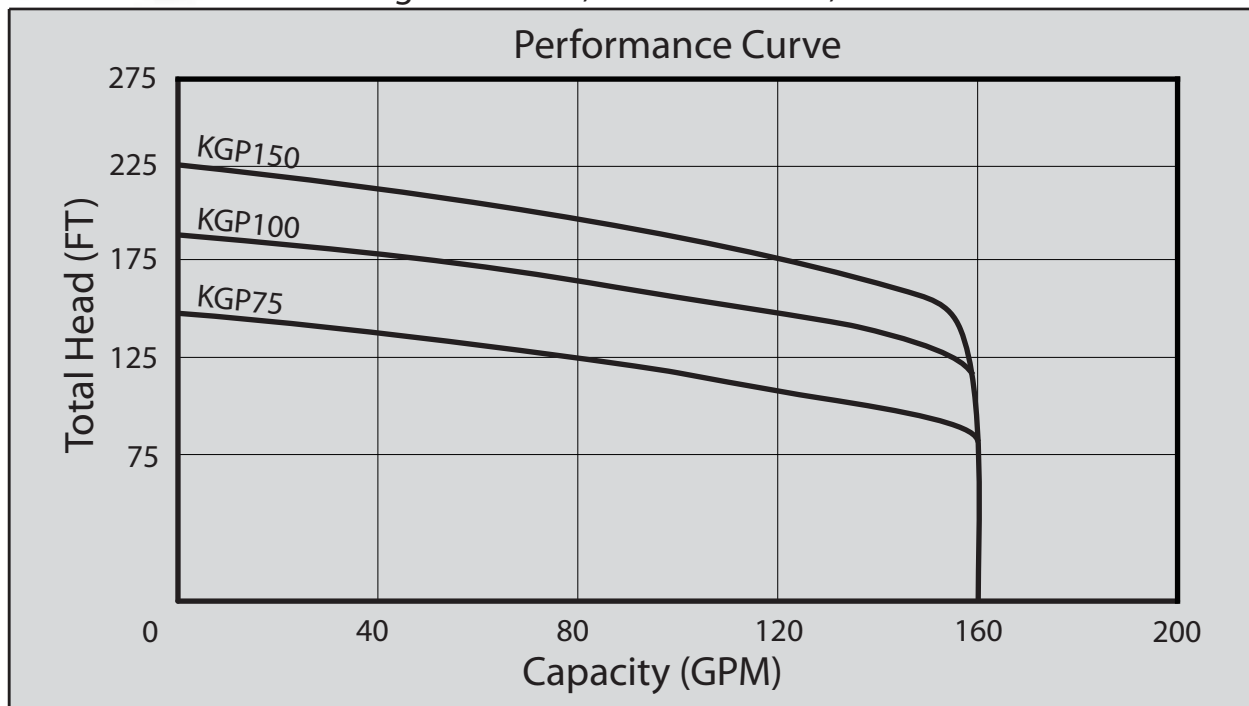


The KEEN PUMP **KGP(X)** series centrifugal grinder pumps are designed for municipal, commercial or industrial applications. The **KGP(X)** pump is also designed for use in pressure sewer applications or any piping network with long discharge distances or high heads.

The recessed vortex impeller design of the **KGP(X)** grinder pump provides trouble-free, non-overloading operation over the entire performance curve. The modular design provides quick and easy serviceability. The hardened stainless steel grinder assembly provides many years of dependable operation.

The **KGP(X)** series pump features:

- Interchangeable with Competitor Installations
- Dual Silicon-Carbide Mechanical Shaft Seals w/ Viton[®] Elastomers
- Slip-Fit Motor with Internal Overload Protection
- 3-Bearing Shaft Support (Upper / Lower / Sleeve)
- Internal Moisture Detection
- Strong Motor 208, 230 or 460 volt, 3-Phase



Features and Benefits

1. Watertight Cable Entrance

Agency-approved, watertight strain relief cord grips with compression grommets protects outer cord jacket. Epoxy-filled inner cord cap provides anti-wicking moisture protection to the motor even if power cable is cut or damaged. 40' UL power & control cords. Additional sealing is accomplished by wire terminal plate, separating cord cap from motor housing.

2. Modular Pump Design

Commonality of parts across the Keen product line minimizes the amount of parts required for servicing. Heavy-duty ASTM A48, Class 35 cast iron components.

3. Strong Motor (U.S. Motor Manufacturer)

Powerful high-torque motor for strong pumping. 208/230/460 Volt, 3-phase. Slip-Fit stator efficiently transfers heat to cast housing. Class H construction with overload protection in oil-filled chamber for cool operation and long motor life. Inverter-duty capable for VFD / soft start operation.

3a. Oil

Proprietary Keen oil ensures industry-low operating temperatures.

4. Solid Bearing Support

Two-bearing design featuring high load-rated angular contact for 100,000 hour B-10 life.

5. Severe Duty Dual Mechanical Seals

Dual silicon carbide mechanical shaft seals w/ Viton® Elastomers provide twice the moisture and grit protection for the motor. Dual seals are housed in a secondary oil-filled seal chamber. Tougher silicon carbide seals better handle sand, grit and abrasive materials. ** Additional bronze labyrinth seal for explosion-proof model.

6. Moisture Detection

Seal leak probe signals alarm in control panel for scheduled maintenance.

7. Non-Overloading Hydraulic Design


Recessed centrifugal impeller allows 100% performance curve operation from shut-off to maximum flow without damage to the pump or system. The recessed, vortex impeller is out of the passageway of fluid flow, eliminating concerns of blockage or wear.

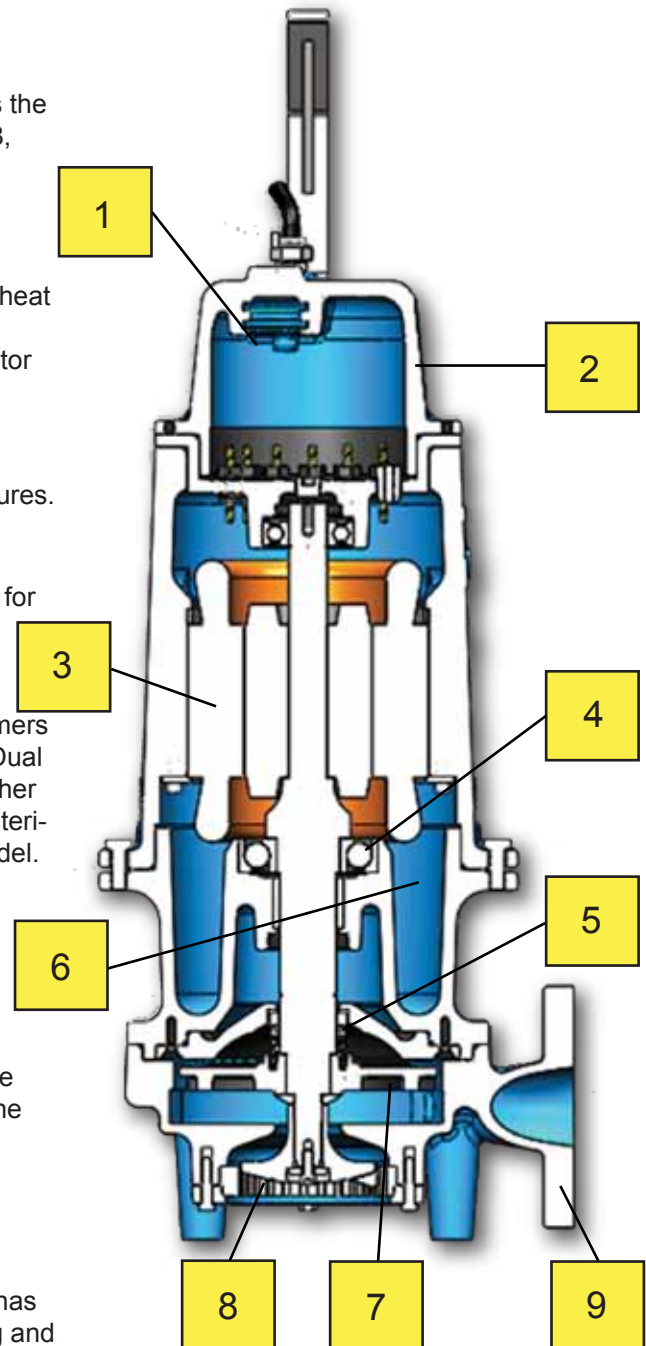
8. Proven Grinder Assembly

Hardened (Rockwell 58-60) stainless steel grinder assembly has 30+ years proven field experience. The reversible grinder ring and grinder impeller effectively reduce solids into a fine slurry, easily passable in a piping system without concerns of clogging. Highly efficient 17,250 cuts/second.

9. Standard Flange Connection

2-1/2" / 3" Horizontal, Class 125 ANSI discharge flange. Industry standard, 4-bolt pattern.

7.5-15HP 
Grinder Pump
KGP(X)75/100/150

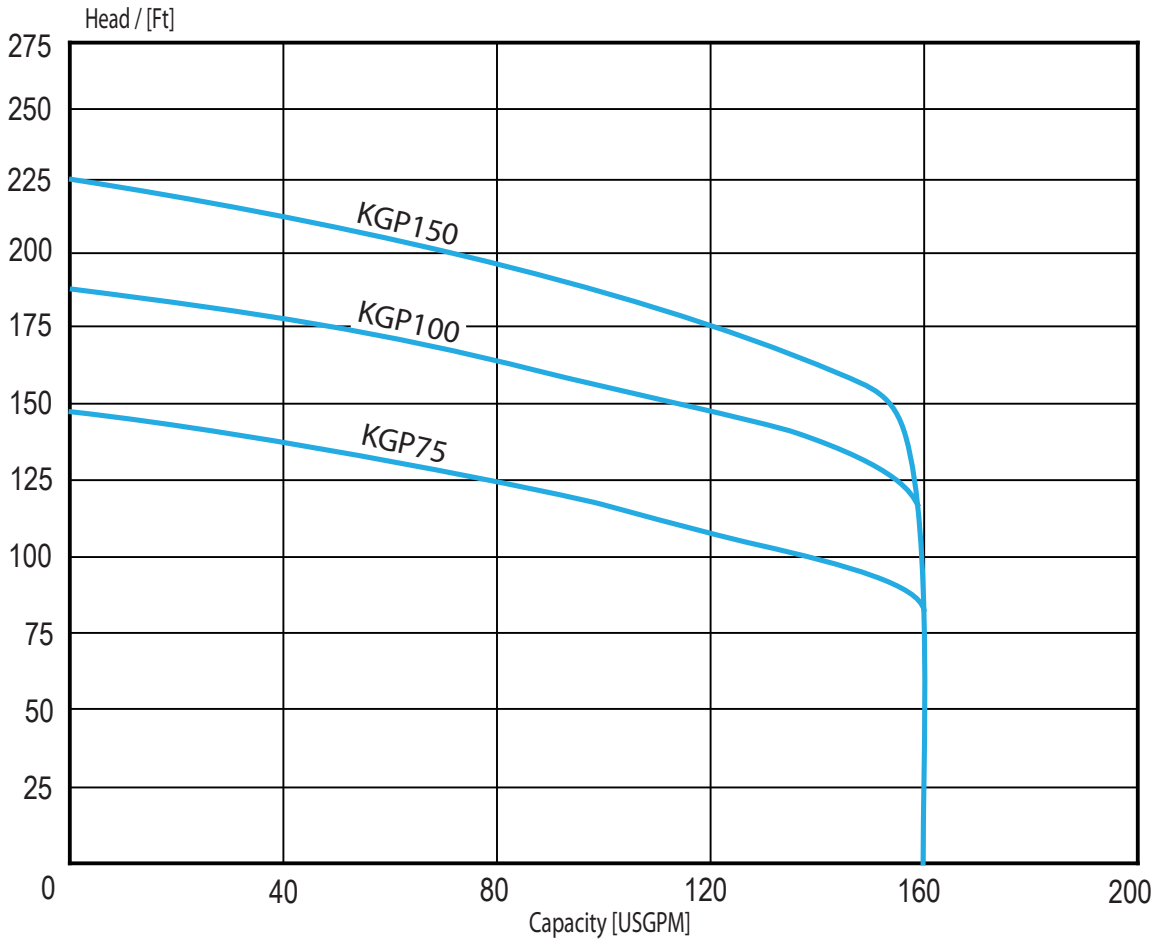


471 US HWY 250 East · Ashland, Ohio 44805
419.207.9400 fax 419.207.8031
www.keenpump.com



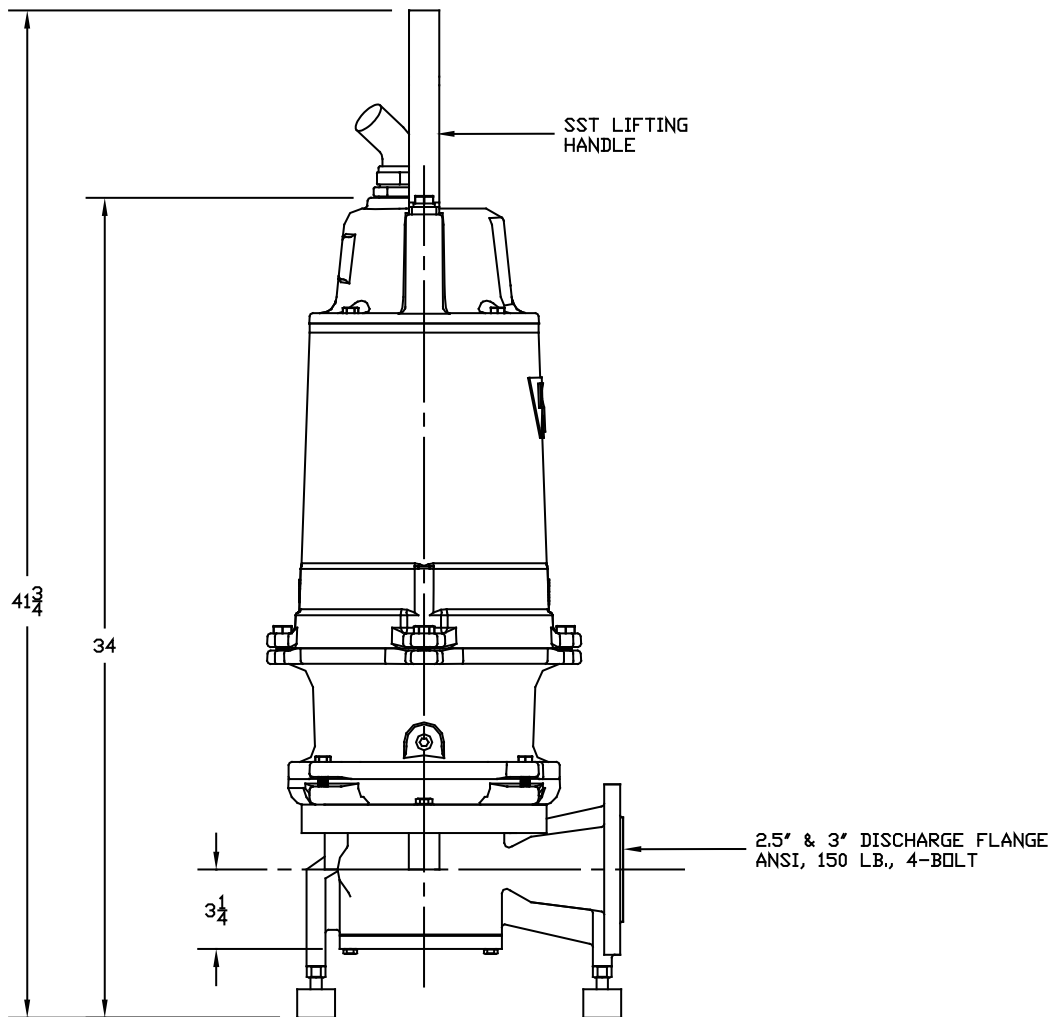
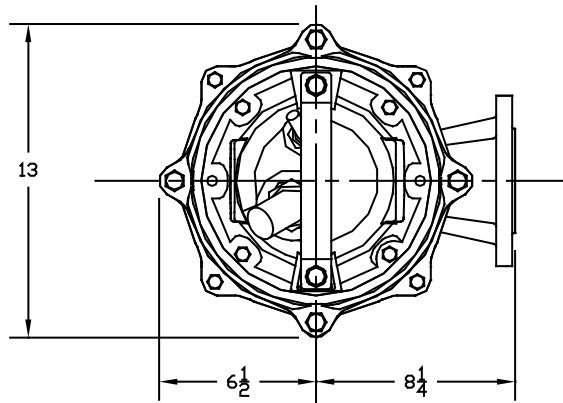
GENERAL		MOTOR DATA	
Pump Model	KGP(X)75/100/150	HP / Power Supply	7.5-15HP / 3 ϕ , 60 Hz
PUMP DATA		Poles / Rated Speed	2 P / 3450 rpm
Date	01/09/2017	Insulation Class	H Class
Discharge Flange	2-1/2 & 3" ANSI Horizontal	Full Load Amps	See Chart
Grinder Ring	Hardened SST		
Impeller Type / Std. Dia.	Recessed / As Shown		

PERFORMANCE CURVE



Models	Electrical Data			
	HP	Volts	Phase	Full Load Amps
KGP(X)75-03	7.5	208	3	39.8
KGP(X)75-23	7.5	230	3	34.5
KGP(X)75-43	7.5	460	3	17.3
KGP(X)100-03	10	208	3	55.6
KGP(X)100-23	10	230	3	48.5
KGP(X)100-43	10	460	3	24.3
KGP(X)150-03	15	208	3	68.5
KGP(X)150-23	15	230	3	59.5
KGP(X)150-43	15	460	3	29.8

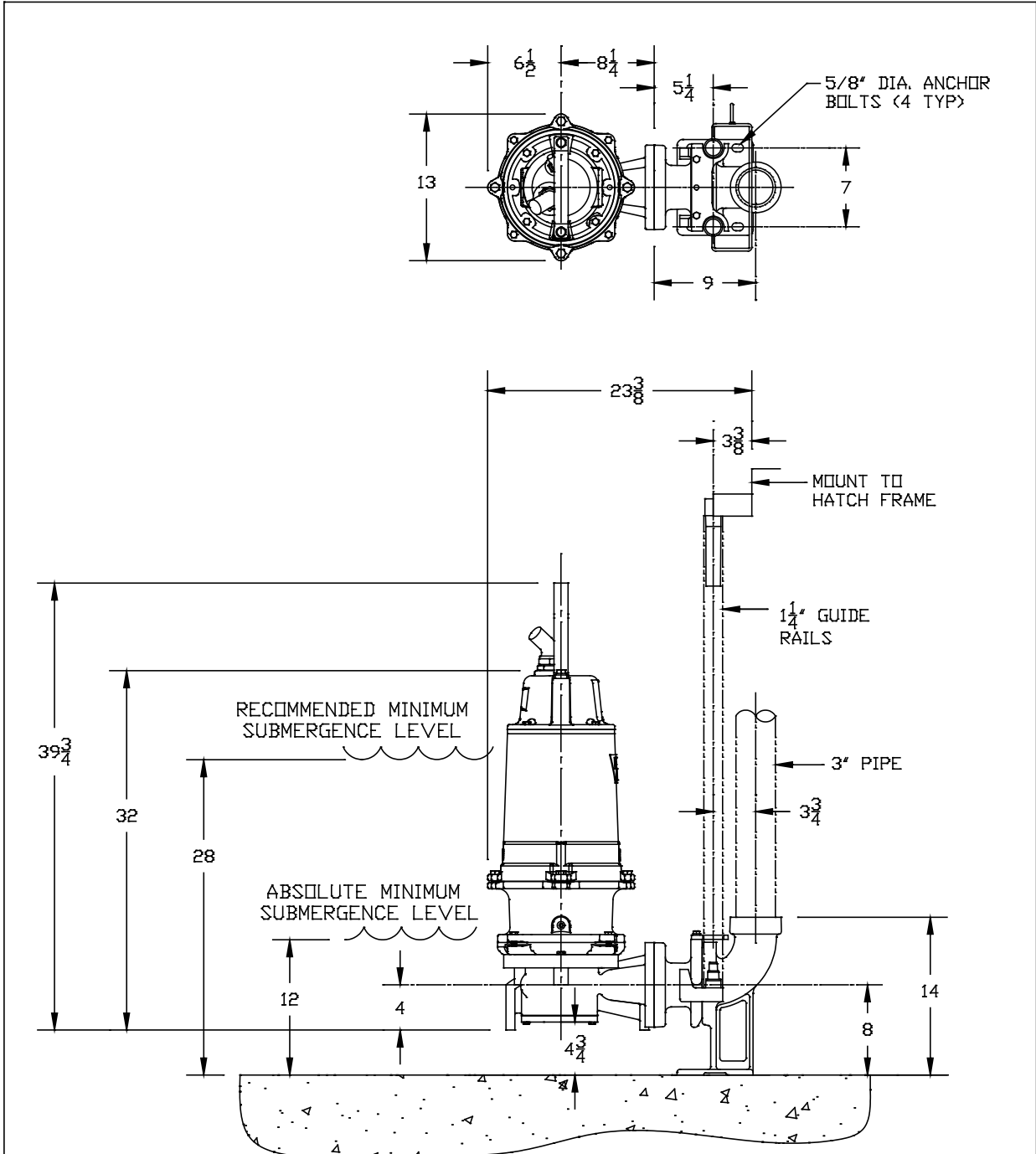
* Performance with clear water and ambient temp 20°C (68°F)



KEEN PUMP CO.
 471E STATE ROUTE 250 EAST PHONE: 419-207-9400
 ASHLAND, OHIO 44805 FAX: 419-207-8031

TITLE			
KGP75-150 7.5-15HP GRINDER PUMP OUTLINE			
SCALE		DWG. #	
NTS		KN-919	
DWG. BY	DATE	REV.	
SE	06/10/2014	-	

Pump Series	KGP	SUBMERSIBLE GRINDER PUMPS
LIFTOUT DIMENSIONAL DATA		



Notes:

1. All dimensions in inches unless noted.
2. Discharge flange 3" NPT.
3. Absolute minimum and recommended minimum submergence levels noted.
4. Dimensions may vary due to normal manufacturing tolerances.
5. If discharge pipe is larger than discharge elbow, eccentric reducer must be used limited to 2X larger maximum.