

K24VK

24" Submersible, Enclosed Impeller



KEEN PUMP "K24VK" Series pumps are designed for demanding wastewater, municipal sewage treatment plants, storm water, industrial, commercial and a wide range of water-handling applications.

"K24VK" Series pumps feature a self-contained cooling jacket system, circulating impeller, heat exchanger plate and liquid refrigerant with a high boiling point (195° C). Standard construction allows for submersible and dry pit installations.

"K24VK" pumps are equipped with high-efficiency, inverter-duty rated, Class H insulation motors. Electrical features include fully automatic alarm protection system and liquid level control system, protecting the motor from water, oil, phase loss, overheating and grounding.

CAPABILITIES:

- Flows----- to 16,000 GPM
- Heads----- to 26 Feet
- Horsepower----- 100 HP
- Voltage / Phase Options----- 460, 3 Phase
- Discharge Connections----- 24" ANSI 150 Lb. Horizontal Flange
- Motor Speeds----- 600 RPM
- Solids-Handling----- 6"
- Impeller----- Balanced, Mixed Flow Enclosed
- Motor Service Factor----- 1.25

Features and Benefits

K24VK

1. Watertight Cable Entrance

Agency-approved, watertight strain relief cord grips with compression grommets protects outer cord jacket. Epoxy-filled inner cord cap provides anti-wicking moisture protection to the motor even if power cable is cut or damaged. 40' UL power & control cords. Additional sealing accomplished by individually soldered wires.

2. Modular Pump Design

Commonality of parts across the Keen product line minimizes the amount of parts required for servicing. Heavy-duty ASTM A48, Class 30 cast iron components.

3. Strong Motor / Cooling Jacket System

Powerful high-torque, Class H motor for reliable pump operation. Overload protection in air-filled chamber. Inverter-duty wire for VFD / soft start operation, continuous duty. Self-contained cooling jacket system with recirculating impeller. Includes heat exchanger plate. Liquid refrigerant coolant supplied.

4. Solid Bearing Support

Motor / Pump shaft securely held with upper and lower ball bearings rated for 100,000 hour B-10 life.

5. Severe Duty Dual Mechanical Seals

Dual mechanical shaft seals provide twice the moisture and grit protection for the motor. Silicon-Carbide Upper and Tungsten-Carbide Lower seals are housed in a secondary oil-filled seal chamber. Tougher material seals better handle sand, grit and abrasive materials.

6. 3-Chamber Moisture Detection

Moisture detection in lower seal chamber, motor housing and upper cord cap housing.

7. High Efficiency Hydraulic Design

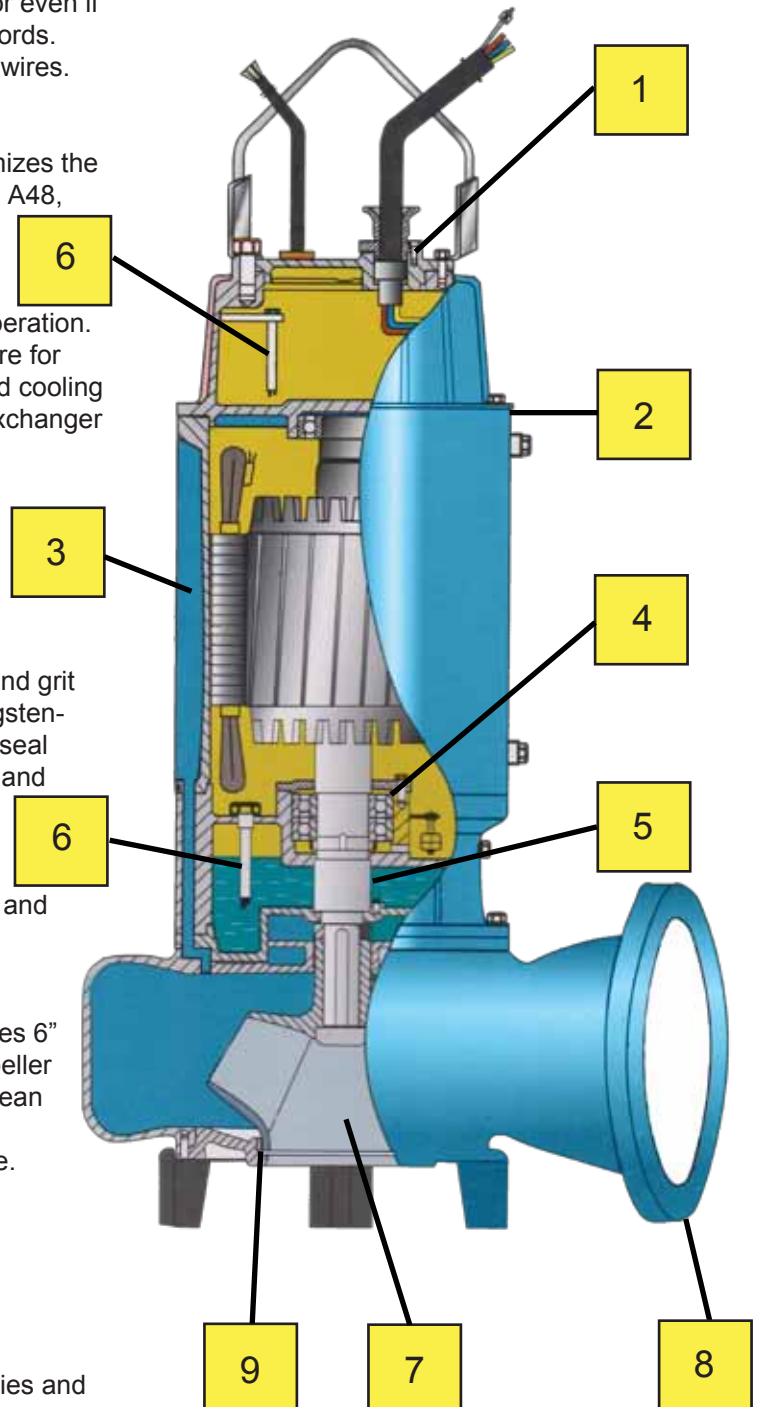
Highly efficient enclosed, mixed-flow impeller easily passes 6" diameter solids without blockage. Strong, ductile iron impeller features backside pump-out vanes, keeping lower seal clean and pressure-compensated for longer life. Dynamically balanced for smooth, quiet operation and long bearing life.

8. Standard Flange Connection

24" Horizontal, 150 Lb., ANSI discharge flange. Industry standard, 20-bolt pattern.

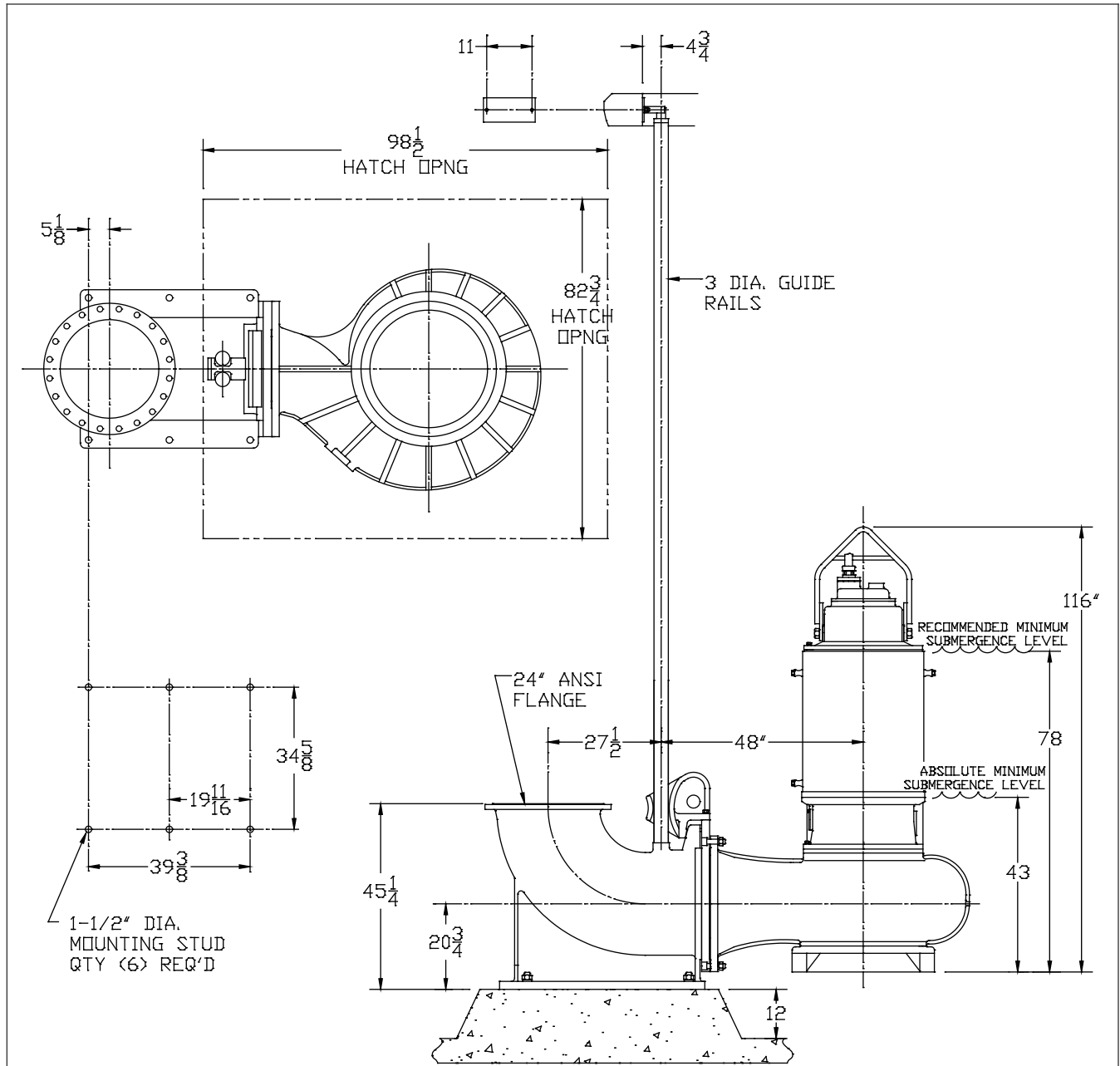
9. High Performance Wear Ring

Assists impeller in providing higher performance efficiencies and prevention of recirculation losses. Ring will not corrode or deteriorate from liquid being pumped. Ring reduces wear to stronger ductile iron impeller in sandy or gritty applications. Easily serviceable and replaceable.



471 US HWY 250 East · Ashland, Ohio 44805
419.207.9400 fax 419.207.8031
www.keenpump.com

Pump Series	K24VK	24" SUBMERSIBLE SEWAGE PUMPS
LIFTOUT DIMENSIONAL DATA		



Notes:

1. All dimensions in inches and (millimeters).
2. Discharge flange ANSI 150 lb. unless noted.
3. Absolute minimum and recommended minimum submergence levels noted.
4. Discharge base elbow must be placed above sump bottom as noted.
5. Dimensions may vary due to normal manufacturing tolerances.
6. If discharge pipe is larger than discharge elbow, eccentric reducer must be used limited to 2X larger maximum.